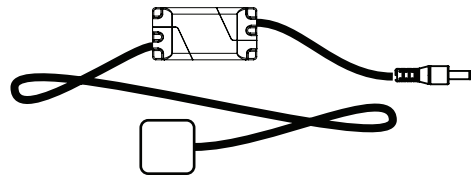
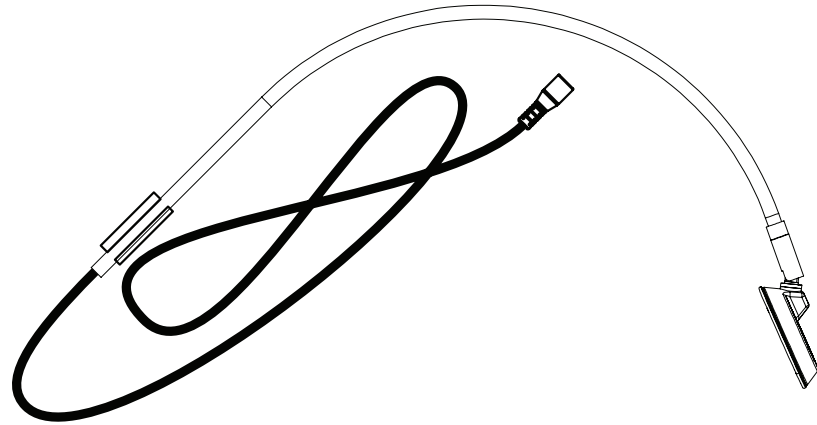


# LED Arm Light - Spot

## LUM-LED3-ORL-B

Incorporate modern, bright LED light into your display and draw attention to your brand and message with elegance. With a contemporary profile, you can modernize your display, set the stage and better communicate a clear message.



## features and benefits:

- Clips to banner stand pole
- Black coated exterior
- Low voltage - 5 watt
- Curved arm with adjustable head
- Projects cool white light
- Light fixture is 17.18" in length
- Dual voltage (100-240V)
- UL approved
- One year warranty against manufacturer defects
- Cord length is 2.2 meters long from light fixture to transformer

## dimensions:

### Hardware

Assembled unit:  
2.5" w x 17.18" d  
64mm(w) x 436mm(d)

### Shipping

Shipping Dimensions:  
19" l x 10" h x 4" d  
483mm(l) x 254mm(h) x 102mm(d)

Approximate Shipping Weight:  
2 lbs. / .91 kg

## additional information:

### Lighting

- 18V DC
- Lumens = 500M
- Light temperature = 5500K

### Safety Warnings

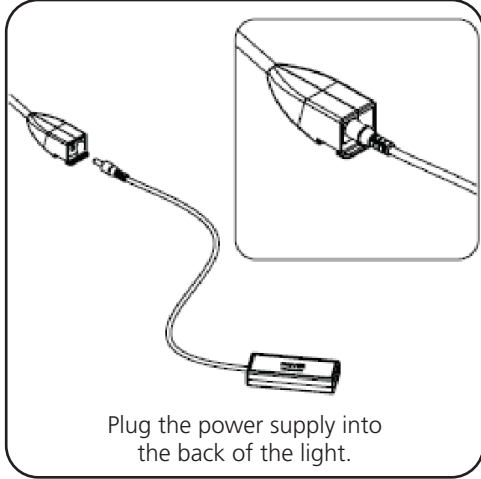
- Light is not protected against moisture. Do not expose to direct or indirect moisture.
- Overloading power supply can cause over heating, shorting and possibly fire.



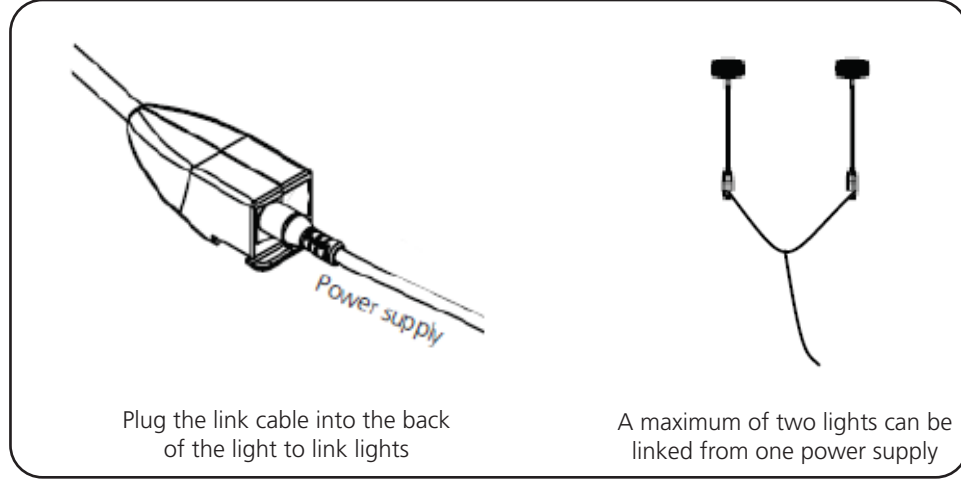
**WARNING**  
**DO NOT LOOK**  
**DIRECTLY AT LIGHT**

We are continually improving and modifying our product range and reserve the right to vary the specifications without prior notice. All dimensions and weights quoted are approximate and we accept no responsibility for variance. E&OE. See Graphic Templates for graphic bleed specifications.

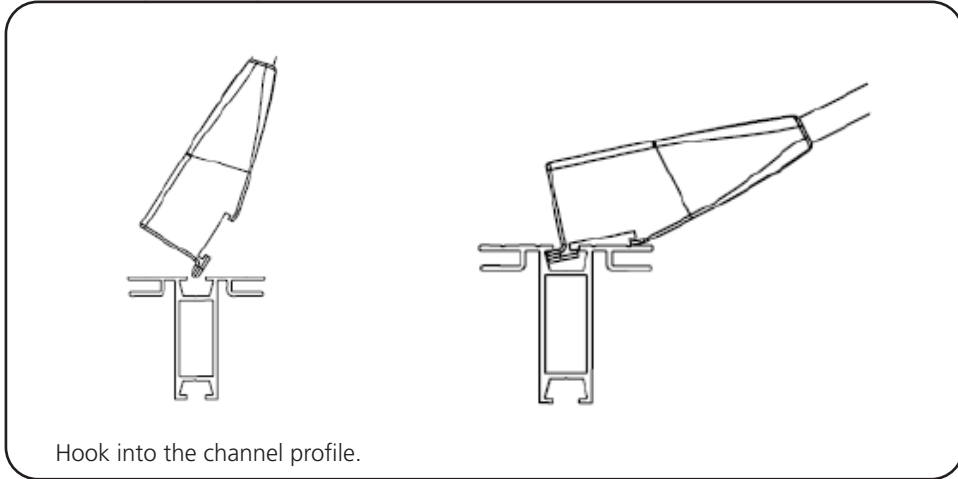
### Connecting the Power Supply



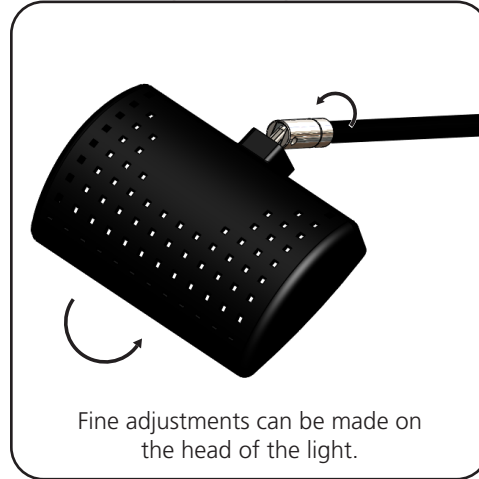
### Linking lights together



### Attaching the Light to Extrusions



### Positioning the Light



### Plugging in the Power Supply

