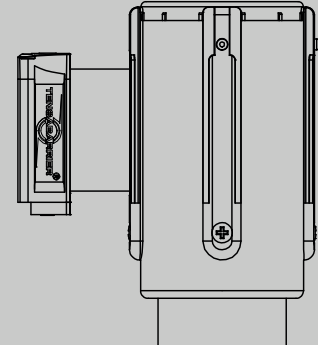


890 Slimline Post

A global perennial crowd control favorite.



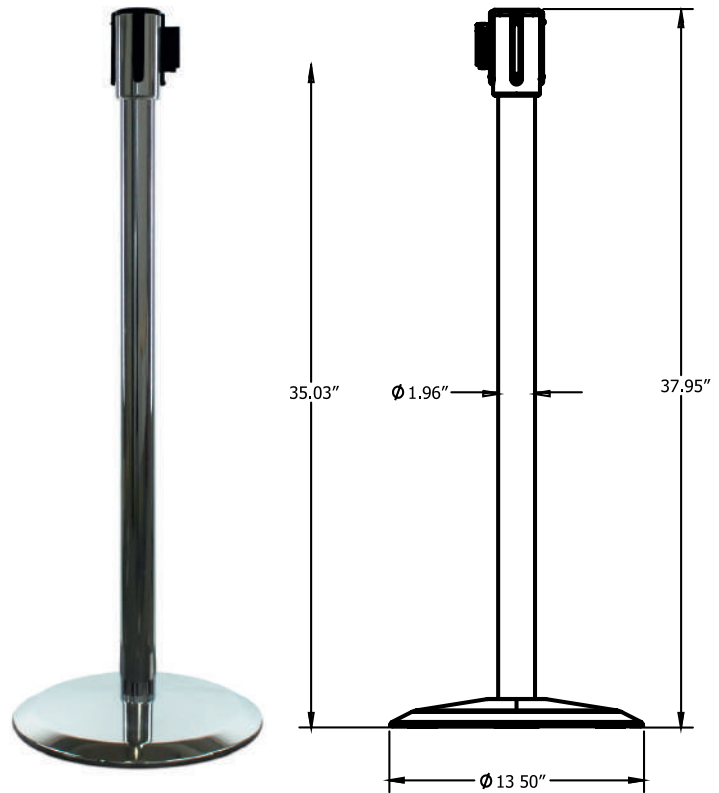
Features & Benefits

- 25+ year history as the world's favorite stanchion.
- Classic, slim post design compatible with any decor or setting.
- Offered with the lowest base edge on the market, creating a safer, accessible-for-all line.
- Steel construction that resists scratches and dents.
- Patented SlowRetract technology to ensure safe functionality when extending or retracting the belt.
- Elegant Slimline design.
- Industry leading safety features.

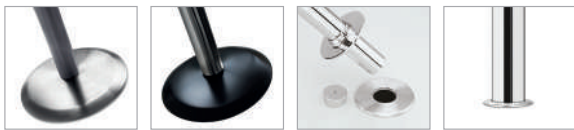


Product Specification

- Construction: steel
- Weight: 22-24 lbs
- Height: 38"
- Tube dia.: 2"
- Base dia.: 14"
- Belt length: 7.5' or 13'
- Base width: 2"
- Finishes: 56 options
- Belt color: choice of 36 colors
- Belt printing: 12 standard messages or custom printing options



3 Base Options



Universal Basics Removable Fixed