



REFINE LINE MANAGEMENT WITH PLASTIC BARRICADES

Plastic barriers offer distinct advantages over steel counterparts. In casual crowds, plastic barriers offer a visually appealing and easy to set up alternative. This barrier is lighter than steel, highly visible, durable and more visually appealing.

Practical | Customizable | Portable | Sustainable



+ Practical

Organizing has never been so simple! Innovative **docking feet make storage more efficient**, allowing quick and easy connections.



+ Customizable

Easily **apply branding and marketing graphics** with options like stickers, signage or posters. **Available in 8 colors!**



+ Portable

The barrier's **mobility and ergonomic grip** design allow for efficient transportation. Making this barrier **#1** of its class!

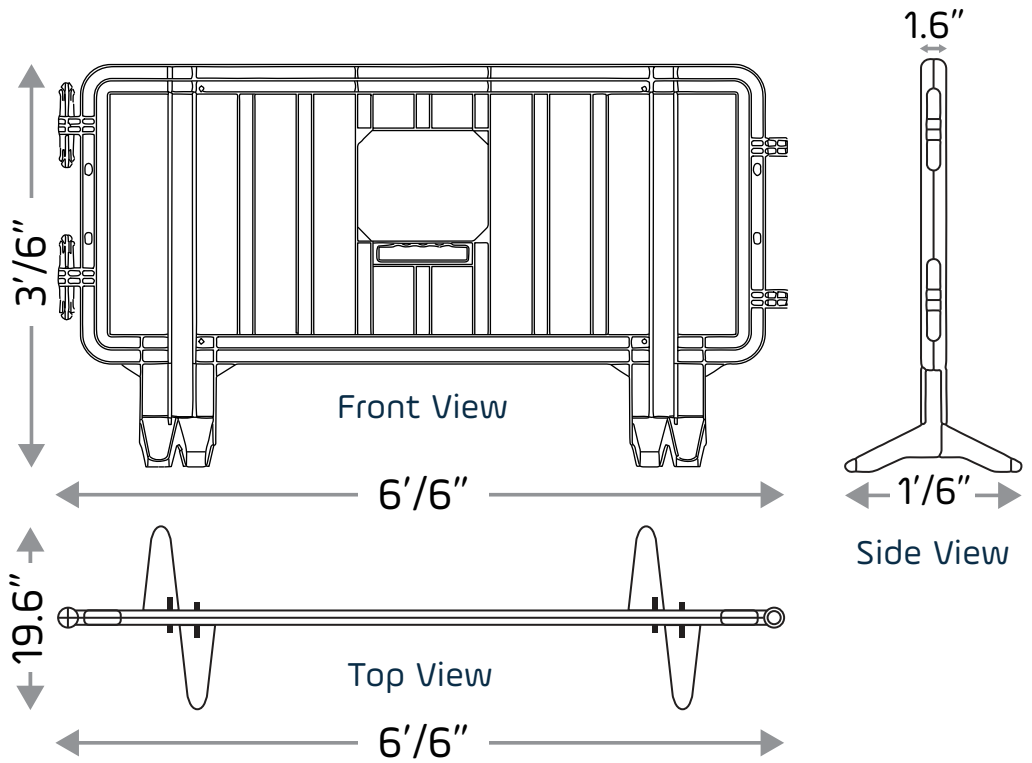


+ Sustainable

Plastic barricades are **100% recyclable** and do not generate waste in the manufacturing process.

Specifications:

Width: 6'6"
Height: 3'6"
Weight: 26.4 lbs
Feet Length: 1'6"
Wall Thickness: 0.2" - 0.6"
Material: Polypropylene ♻️



COLORS AVAILABLE



Modern, Colorful and Communicative!

